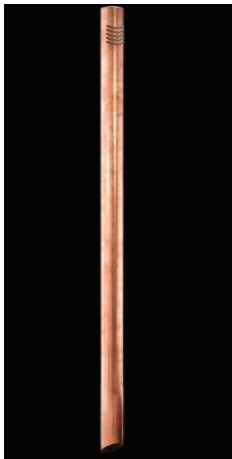
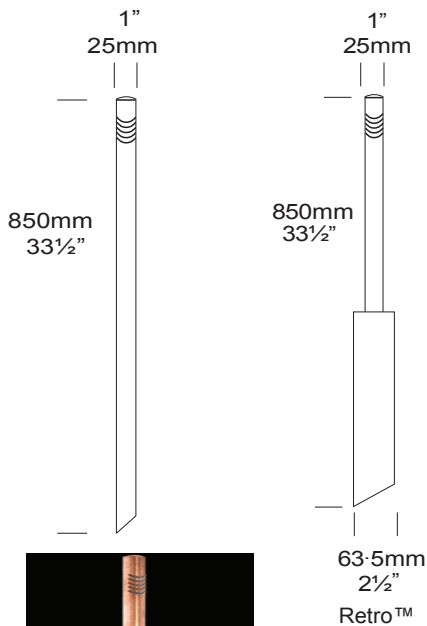


Twig Lite PURE LED

Cat. NO TG/L



PURE LED
Pure Performance



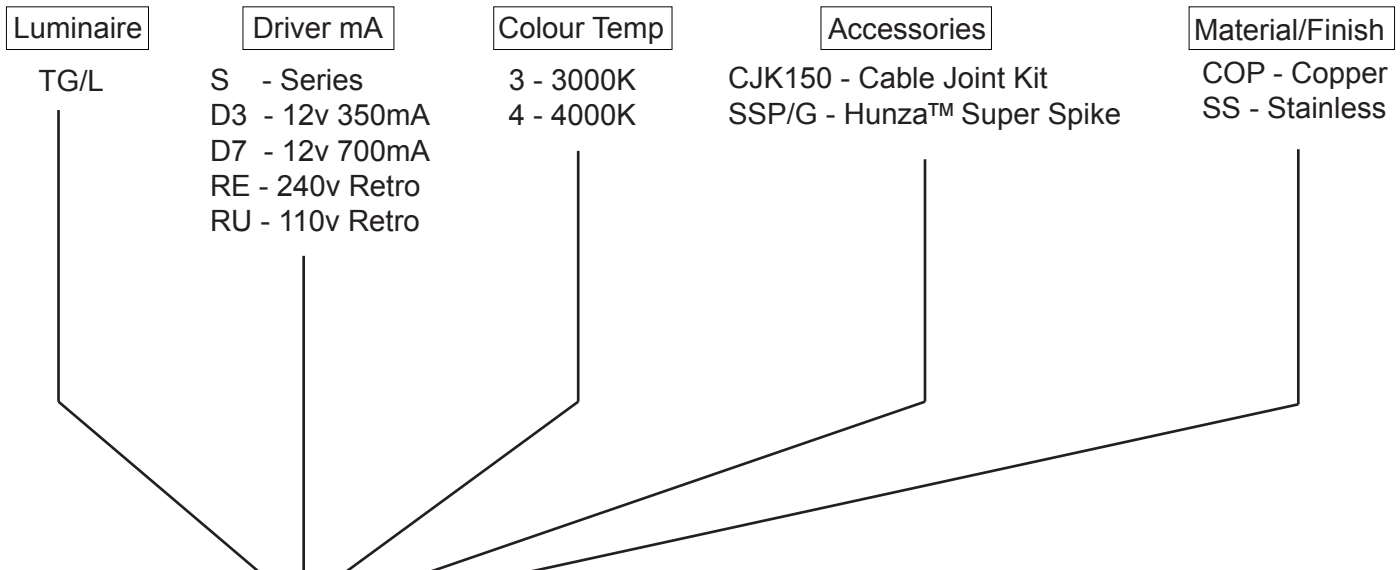
The Twig Lite has a subtle appearance, which allows it to blend into taller foliage. The luminaire has a frosted glass lens to reduce glare.

The Hunza PURE LED system uses the latest Cree XTE LED chips for maximum performance and long life. Power supply options include a choice of integral 12 volt driver or 110/240v (Retro) drivers. There is also an external remote driver (series connection) option. The PURE LED system incorporates an innovative Plug-and-Play system for easy replacement or upgrade of the LED engine.

The Retro™, which is a mains option, avoids the need to bury a transformer. The 110/240-12 volt electronic transformer is built into the pole and is a double insulated safety isolating transformer. The transformer has an IP56 rating.

*At 350mA this fitting is the equivalent of a 15w halogen fitting.
*At 700mA this fitting is the equivalent of a 20w halogen fitting.

Ordering Information



Ordering Example: TG/L S 3 CJK150 SS

HUNZA™ PURE OUTDOOR LIGHTING

HUNZA FACTORY
130 Felton Mathew Ave
Saint Johns
Auckland 1072
New Zealand

Ph: 64-9-528 9471
Fax: 64-9-528 9361
hunza@hunza.co.nz
www.hunza.co.nz

INTERNATIONAL CONTACTS:
www.hunza.co.nz/contacts.php

Specifications may change without notice.
Manufactured in New Zealand.
© 2014 Hunza Holdings Ltd.

Luminaire Information

CNC machined from one of the following metals:

Copper 25.4mm (1") x 850mm (33½").

End cap - solid copper 25.4mm (1") rod.

316 Stainless Steel: 25.4mm (1") x 850mm (33½").

End cap - solid 316 stainless steel 25.4mm (1") rod.

Retro™:

Pole - copper 25.4mm (1") x 410mm (16") tube.

Transformer Pole 63.5mm (2½") x 440mm (17½").

Luminaire Weight

Stainless and Copper

12 volt .800kg (1lb 12oz)

Retro™ 1.98kg (4lb 6oz)

Features

Lens:

22mm (¾") extra clear low iron flush fit shatter resistant glass. Lifetime Warranty.

Gaskets:

Nytrol, 150°c (302°f).

Accessories:

Cable Joint Kit (Cat. CJK150)

Super Spike (Cat. SSP/G)

- Not for Retro.

Mounting

Pole 850mm (33½") directly mounted into the earth or for extra stability in sand or loose ground use a Hunza™ Super Spike. Retro™ set in concrete.

Technical Information

Standards

IP44 UL 1838

LED

Cree XTE Plug-and-Play, field replaceable LED board.

Lumen Output: 70 @ 350mA

120 @ 700mA

Lumens Per watt: 70 @ 1 watt

60 @ 2 watts

CRI Warm White (3000k): 85+

Colour Temp: 3,000 or 4,000K

Power Supply

External (Series) Driver

Constant current driver

Output: 3vdc at 1050mA maximum

Integral 12 Volt Driver

Buckbullet Driver:

Input: 12vac 3watt at 700mA

Output: 3vdc nominal, 350mA or 700mA

Transformer

Hunza wall Mount Transformer for use with integral 12 volt driver

Retro 110/240 volt Driver

HUNZA Plug and Play Driver

Input: 120/240 vac 7 watt

Output: 6 dc 700mA

0-10 volt dimming

(USA - non dimming)